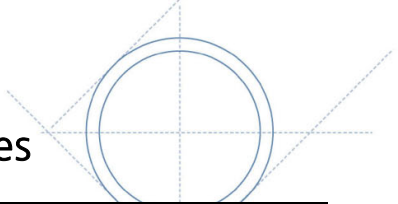


PITOBAR Averaging Pitot Tubes



PITOBAR LITE

PITOBAR LITE type LDK200 is a low cost version of the standard PITOBAR.

PITOBAR LITE is mainly intended for air and gas at low pressure and temperature.

Sizes from DN 50 (2") to DN 400 (16"). PITOBAR LITE is only available in stainless steel AISI 316.

Compact design.

Easy to install.

No documentation is available.



PITOBAR type DK200

PITOBAR DK200 measures most liquids and gasses.

Sizes ranging from DN 50 (2") up to DN 1000 (40").

Wide selection of materials including stainless steels, duplex steels, 6Mo, Hastelloy, Titanium.

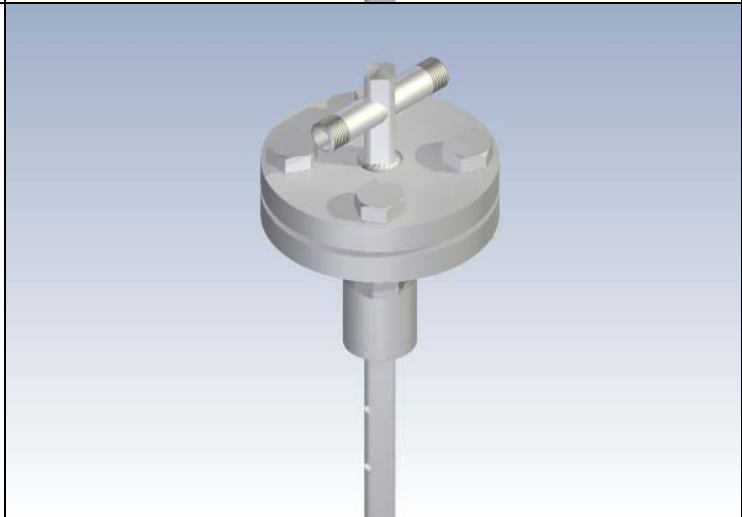
Pressure rating up to PN 400 (2500 lbs).

The probe size is 20 x 20 mm.

1/2" BSP or NPT instrument connections.

Serving general purpose applications.

Bottom support for higher velocities.



PITOBAR type DK250

PITOBAR DK250 measures most liquids and gasses.

Sizes ranging from DN 50 (2") up to DN 2000 (80").

Wide selection of materials including stainless steels, duplex steels, 6Mo, Hastelloy, Titanium.

Pressure rating up to PN 400 (2500 lbs).

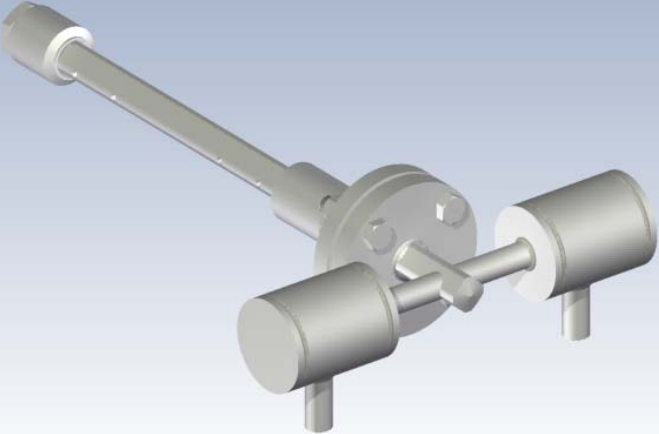
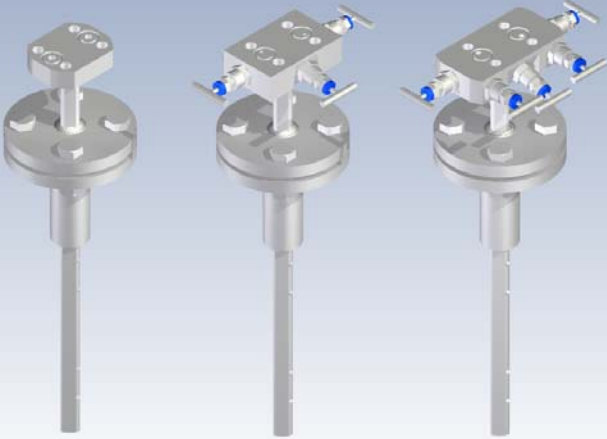
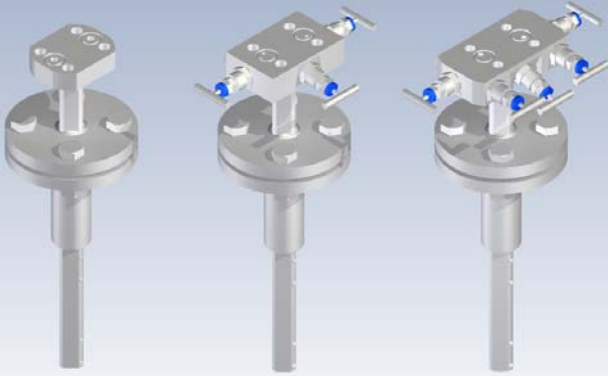
The probe size is 25 x 25 mm.

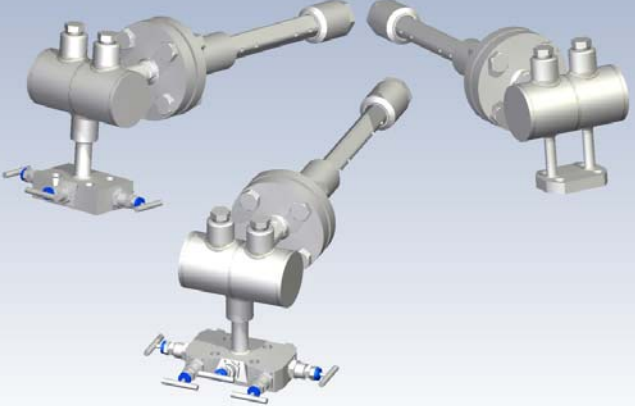
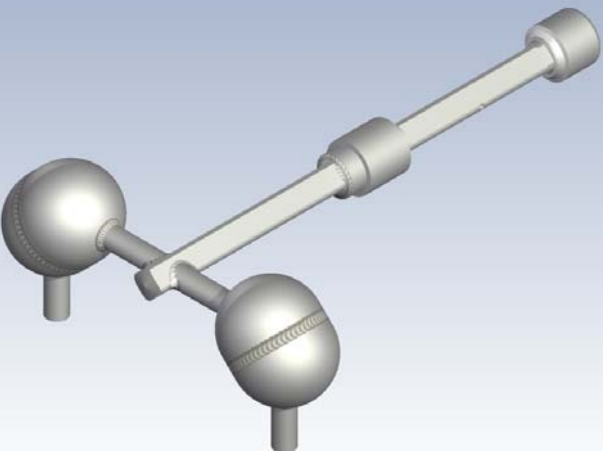

1/2" BSP or NPT instrument connections.

Serving heavy duty applications.



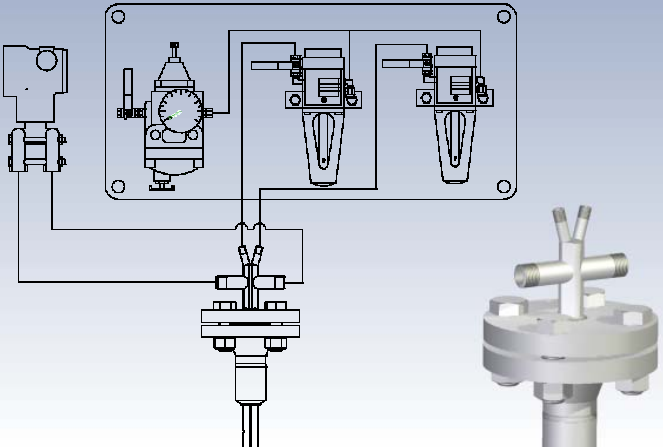
Bottom support for higher velocities.



| | |
|--|--|
| <p>PITOBAR type DK251</p> <p>PITOBAR DK251 with condensing chambers measures steam flow. Sizes ranging from DN 50 (2") up to DN 2000 (80"). Probe in stainless steel AISI 316. Mounting parts in carbon steel, 1.5415, 1.7335 and other high temperature steels. Pressure rating up to PN 400 (2500 lbs). The probe size is 25 x 25 mm. ½" BSP, NPT or butt weld instrument connections. Serving heavy duty applications. Standard with bottom support.</p> |  |
| <p>PITOBAR type DK203, DK204, DK205</p> <p>PITOBAR with mounting flange or integrated 3(5) valve manifold for direct transmitter mounting measures most liquids and gasses. Sizes ranging from DN 50 (2") up to DN 1000 (40"). Wide selection of materials including stainless steels, duplex steels, 6Mo. Pressure rating up to PN 400 (2500 lbs). The probe size is 20 x 20 mm. Serving general purpose applications. Bottom support for higher velocities.</p> |  |
| <p>PITOBAR type DK253, DK254, DK255</p> <p>PITOBAR with mounting flange or integrated 3 or 5 valve manifold for direct transmitter mounting measures most liquids and gasses. Sizes ranging from DN 50 (2") up to DN 2000 (80"). Wide selection of materials including stainless steels, duplex steels, 6Mo. Pressure rating up to PN 400 (2500 lbs). The probe size is 25 x 25 mm. Serving heavy duty applications. Bottom support for higher velocities.</p> |  |

| | |
|--|---|
| <p style="text-align: center;">PITOBAR Type DK251/3, DK 251/4, DK251/5</p> <p>PITOBAR with condensing chambers measures steam flow. With mounting flange for transmitter, integrated 3 or 5 valve manifold.</p> <p>Sizes ranging from DN 50 (2") up to DN 2000 (80").</p> <p>Probe in stainless steel AISI 316.</p> <p>Mounting parts in carbon steel, 1.5415, 1.7335 and other high temperature steels.</p> <p>Pressure rating up to PN 400 (2500 lbs).</p> <p>The probe size is 25 x 25 mm.</p> <p>Serving heavy duty applications.</p> <p>Standard with bottom support.</p> |  |
| <p style="text-align: center;">PITOBAR Type DK261</p> <p>PITOBAR in all welded construction with condensing chambers measures steam flow.</p> <p>Sizes ranging from DN 50 (2") up to DN 2000 (80").</p> <p>Materials in stainless steel AISI 316, 1.7335 and other high temperature steels.</p> <p>Pressure rating up to PN 400 (2500 lbs).</p> <p>The probe size is 25 x 25 mm.</p> <p>Serving the very demanding applications.</p> <p>Standard with bottom support.</p> |  |
| <p style="text-align: center;">PITOBAR type DK252</p> <p>PITOBAR DK252 measures most liquids and gasses.</p> <p>Sizes ranging from DN 50 (2") up to DN 2000 (80").</p> <p>Retractable under pressure.</p> <p>Pressure rating up to PN 250 (1500 lbs).</p> <p>The probe size is 25 x 25 mm.</p> <p>1/2" BSP or NPT instrument connections.</p> <p>Serving heavy duty applications.</p> <p>Standard with bottom support.</p> |  |

0-05-001-0e.doc

| | |
|---|--|
| <p>PITOBAR type PC450</p> <p>PITOBAR PC450 measures most liquids and gasses. Sizes ranging from DN 1000 (40") up to DN 6000 (240"). Pressure rating up to PN 100 (600 lbs). The probe size is 45 x 45 mm. 1/2" BSP or NPT instrument connections. Serving general purpose and heavy duty applications. Standard with bottom support.</p> |  |
| <p>PITOBAR type PC455</p> <p>PITOBAR PC455 measures most liquids and gasses. Sizes ranging from DN 500 (20") up to DN 3000 (60"). Pressure rating up to PN 100 (600 lbs). The probe size is 45 x 45 mm. 1/2" BSP or NPT instrument connections. Serving general purpose and heavy applications. Standard with bottom support.</p> |  |
| <p>PITOPURGE type PCW</p> <p>PITOPURGE for continuous purging of plus and minus chambers to prevent dust, dirt and particles to enter into the 2 pressure sensing channels. Is suitable for type DK 200, DK 250, PC 450 and PC455. Suitable for low pressure applications. Panel for wall mounting.</p> |  |